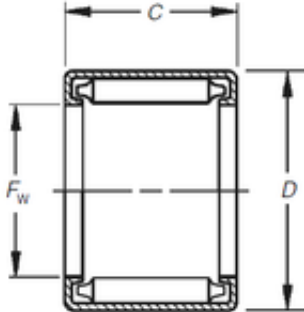




Lamar parts manufacturing company

Timken B-2020 needle roller bearings



Bearing No. B-2020

Size	31.75x38.1x31.75 mm
Bore Diameter	31,75 mm
Outer Diameter	38,1 mm
Width	31,75 mm
Fw	31,75 mm
D	38,1 mm
C	31,75 mm
Weight	0,065 Kg
Basic dynamic load rating (C)	47,2 kN
Basic static load rating (C0)	121 kN
(Grease) Lubrication Speed	2300 r/min

B-2020 Bearing 2D drawings and 3D CAD models