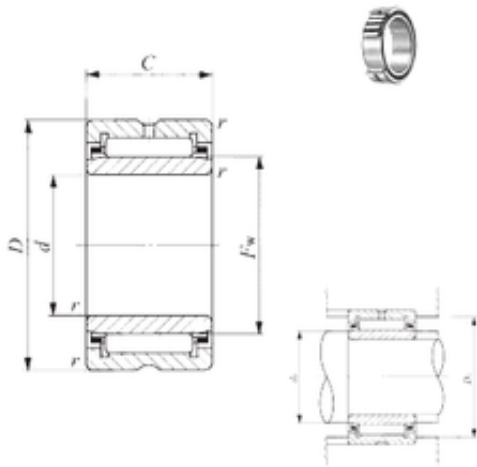




Lamar parts manufacturing company



280 mm x 360 mm x 100 mm IKO NA 4952
needle roller bearings

Bearing No. NA 4952

Size	280x360x100 mm
Bore Diameter	280 mm
Outer Diameter	360 mm
Width	100 mm
d	280 mm
Fw	290 mm
D	360 mm
B	100 mm
C	100 mm
r min.	2,1 mm
da min.	271 mm
da max	287 mm
Da max.	349 mm
S	4 mm
Weight	33,1 Kg
Basic dynamic load rating (C)	847 kN
Basic static load rating (C0)	1900 kN

NA 4952 Bearing 2D drawings and 3D CAD models