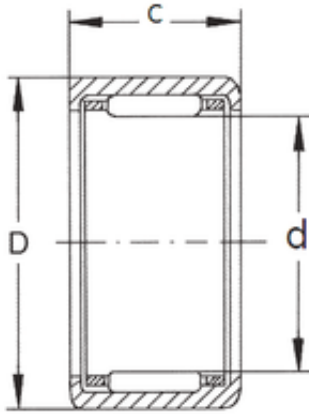




## Lamar parts manufacturing company

### FBJ HK1512 needle roller bearings



Bearing No. HK1512

Size	15x21x12 mm
Bore Diameter	15 mm
Outer Diameter	21 mm
Width	12 mm
d	15 mm
D	21 mm
C	12 mm
Weight	0,0111 Kg
Basic dynamic load rating (C)	7 kN
Basic static load rating (C0)	8,4 kN
(Grease) Lubrication Speed	8400 r/min

HK1512 Bearing 2D drawings and 3D CAD models