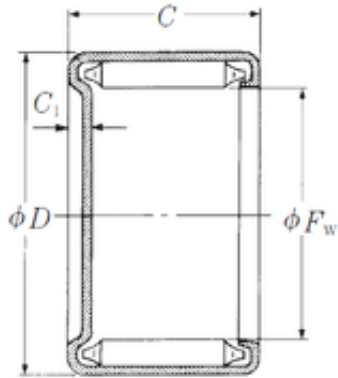




NSK M-361 needle roller bearings



Bearing No. M-361

Size	4.762x8.731x9.52 mm
Bore Diameter	4,762 mm
Outer Diameter	8,731 mm
Width	9,52 mm
Fw	4,762 mm
D	8,731 mm
C	9,52 mm
C2	1,8 mm
Weight	0,0027 Kg
Basic dynamic load rating (C)	3,6 kN

M-361 Bearing 2D drawings and 3D CAD models