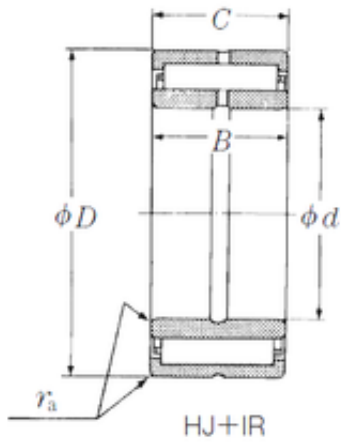




Lamar parts manufacturing company



28,575 mm x 47,625 mm x 25,4 mm NSK
HJ-223016+IR-182216 needle roller bearings

Bearing No. HJ-223016+IR-182216

Size	28.575x47.625x25.4 mm
Bore Diameter	28,575 mm
Outer Diameter	47,625 mm
Width	25,4 mm
d	28,575 mm
Fw	34,925 mm
D	47,625 mm
B	25,4 mm
C	25,4 mm
ra max.	1 mm
Weight	0,305 Kg
Basic dynamic load rating (C)	38,5 kN
Basic static load rating (C0)	61 kN

HJ-223016+IR-182216 Bearing 2D drawings and 3D CAD models