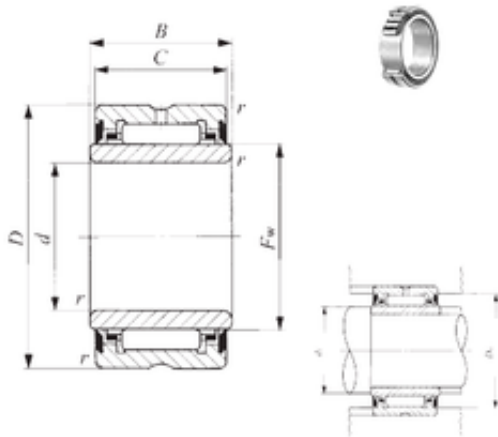




Lamar parts manufacturing company



10 mm x 22 mm x 14 mm IKO NA 4900UU
needle roller bearings

Bearing No. NA 4900UU

Size	10x22x14 mm
Bore Diameter	10 mm
Outer Diameter	22 mm
Width	14 mm
d	10 mm
Fw	14 mm
D	22 mm
B	14 mm
C	13 mm
r min.	0,3 mm
da min.	12 mm
da max	13 mm
Da max.	20 mm
Weight	0,0245 Kg
Basic dynamic load rating (C)	8,08 kN
Basic static load rating (C0)	8,49 kN

NA 4900UU Bearing 2D drawings and 3D CAD models