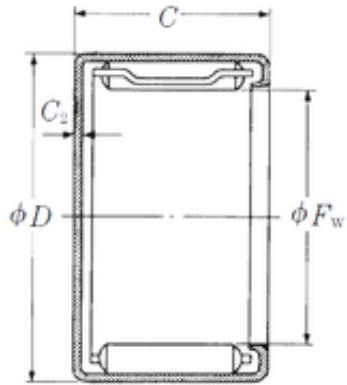




NSK MFJL-2520 needle roller bearings



Bearing No. MFJL-2520

Size	25x33x20 mm
Bore Diameter	25 mm
Outer Diameter	33 mm
Width	20 mm
Fw	25 mm
D	33 mm
C	20 mm
C2	1 mm
Weight	39 Kg
Basic dynamic load rating (C)	21900 kN

MFJL-2520 Bearing 2D drawings and 3D CAD models