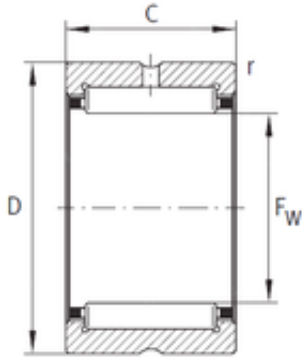




Lamar parts manufacturing company

INA RNA4826-XL needle roller bearings



Bearing No. RNA4826-XL

Size	145x165x35 mm
Bore Diameter	145 mm
Outer Diameter	165 mm
Width	35 mm
Fw	145 mm
D	165 mm
C	35 mm
r min.	1,1 mm
Weight	0,99 Kg
Basic dynamic load rating (C)	134 kN
Basic static load rating (C0)	310 kN
Fatigue load limit (Pu)	48,5
Reference speed	2 200 r/min

RNA4826-XL Bearing 2D drawings and 3D CAD models