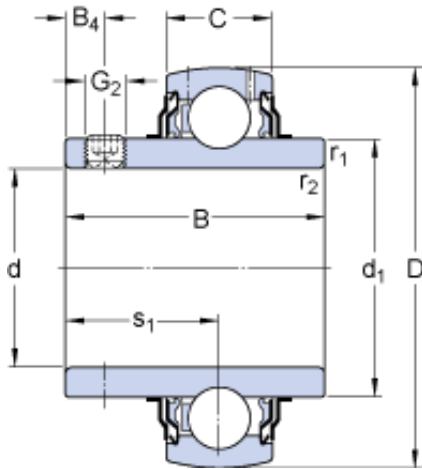




Lamar parts manufacturing company



74.613 mm x 130 mm x 73.3 mm SKF YAR 215-215-2F deep groove ball bearings

Bearing No. YAR 215-215-2F

YAR 215-215-2F Bearing 2D drawings and 3D CAD models

Size	130x74.613x73.3 mm
Bore Diameter	130 mm
Outer Diameter	74,613 mm
Width	73,3 mm
d	74.613 mm
D	130 mm
B	73.3 mm
C	29 mm
d ₁	92.05 mm
B ₄	12 mm
r _{1,2} - min.	1.5 mm
s ₁	46.3 mm
Basic dynamic load rating - C	66.3 kN
Basic static load rating - C ₀	49 kN
Fatigue load limit - P _u	2 kN
Limiting speed with shaft tolerance h6	2600 r/min
Calculation factor - f ₀	15
Mass bearing	2.2 kg
Thread - G ₂ - 7/16-20 UNF	7/1620 UNF
Hexagonal key size for grub screw - H	5.556 mm
Category	Insert Bearings Spherical OD
Inventory	0.0



Lamar parts manufacturing company

Manufacturer Name	SKF
Minimum Buy Quantity	N/A
Weight / Kilogram	2.219
EAN	7316577300898
Product Group	M06110
Inner Race Profile	Wide Inner Ring
Outer Race Profile	Spherical
Relubricatable	Yes
Seal Type	M Seal
Mounting Method	Set Screw
Rolling Element	Ball Bearing
Snap Ring	No
Long Description	2-15/16" Bore; Wide Inner Ring; Ball Bearing; 2.878" Length Thru Bore; 1.142" Outer Race Width; 5.118" Outside Diameter; Relubricatable; M Seal Seal; Set Screw Mounting Method
Inch - Metric	Inch
Other Features	Single Row Medium Duty Grub Screw Has Flinger
Category	Insert Bearings
UNSPSC	31171536
Harmonized Tariff Code	8482.10.50.00
Noun	Bearing
Keyword String	Insert
Manufacturer URL	http://www.skf.com
Manufacturer Item Number	YAR 215-215-2F
Weight / LBS	4.63
Length Thru Bore	2.878 Inch 73.101 Millimeter
Bore	2.938 Inch 74.625 Millimeter



Lamar parts manufacturing company

Outer Race Width	1.142 Inch 29.007 Millimeter
Outside Diameter	5.118 Inch 129.997 Millimeter
d_1	92.05 mm
B_4	12 mm
$r_{1,2}$ min.	1.5 mm
s_1	46.3 mm
Basic dynamic load rating C	66.3 kN
Basic static load rating C_0	49 kN
Fatigue load limit P_u	2.04 kN
Limiting speed ¹⁾	2600 r/min
Calculation factor f_0	15
Mass complete bearing	2.15 kg
Thread grub screw G_2	7/16-20 UNF
Hexagonal key size for grub screw N	5.556 mm
Recommended tightening torque for grub screw	28.5 N · m