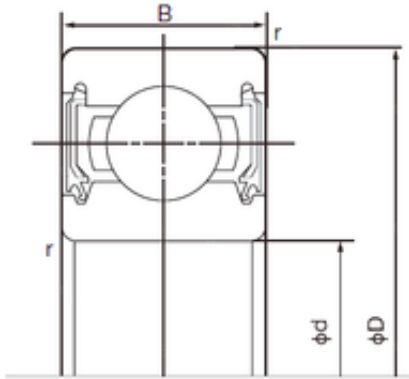




Lamar parts manufacturing company

12 mm x 28 mm x 8 mm NACHI 6001-2NSE
deep groove ball bearings



Bearing No. 6001-2NSE

Size	12x28x8 mm
Bore Diameter	12 mm
Outer Diameter	28 mm
Width	8 mm
d	12 mm
D	28 mm
B	8 mm
C	8 mm
r min.	0.3 mm
da min.	14 mm
Da max.	26 mm
ra max.	0.3 mm
Weight	0.023 Kg
Basic dynamic load rating (C)	5,1 kN
Basic static load rating (C0)	2,39 kN

6001-2NSE Bearing 2D drawings and 3D CAD models