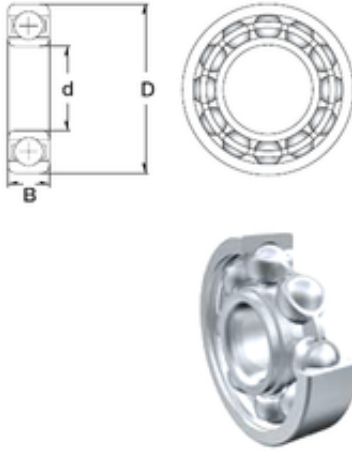




Lamar parts manufacturing company



8 mm x 22 mm x 6 mm ZEN S608W6 deep groove ball bearings

Bearing No. S608W6

Size	8x22x6 mm
Bore Diameter	8 mm
Outer Diameter	22 mm
Width	6 mm
d	8 mm
D	22 mm
B	6 mm
C	6 mm
Basic dynamic load rating (C)	3,293 kN
Basic static load rating (C0)	1,379 kN
(Grease) Lubrication Speed	34000 r/min

S608W6 Bearing 2D drawings and 3D CAD models