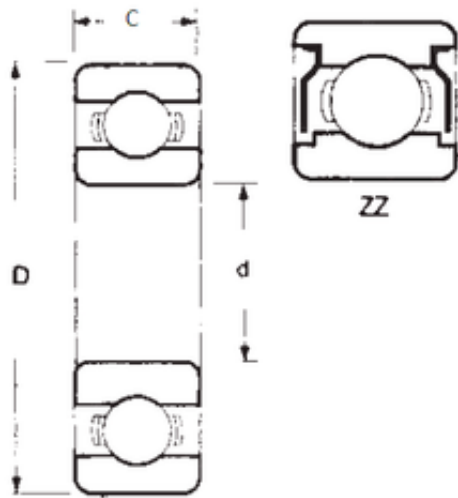




## Lamar parts manufacturing company



25 mm x 47 mm x 8 mm FBJ 16005ZZ deep groove ball bearings

Bearing No. 16005ZZ

Size	25x47x8 mm
Bore Diameter	25 mm
Outer Diameter	47 mm
Width	8 mm
d	25 mm
D	47 mm
B	8 mm
C	8 mm
Weight	0,06 Kg
Basic dynamic load rating (C)	7,61 kN
Basic static load rating (C0)	4,75 kN

16005ZZ Bearing 2D drawings and 3D CAD models