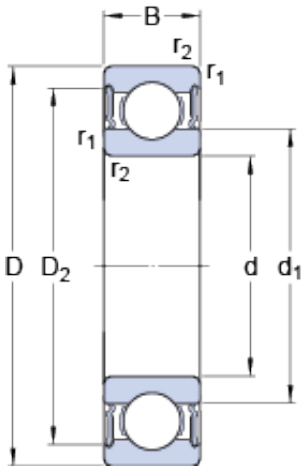




Lamar parts manufacturing company



25 mm x 62 mm x 24 mm SKF 62305-2RS1 deep groove ball bearings

Bearing No. 62305-2RS1

62305-2RS1 Bearing 2D drawings and 3D CAD models

Size	62x25x24 mm
Bore Diameter	62 mm
Outer Diameter	25 mm
Width	24 mm
d	25 mm
D	62 mm
B	24 mm
d ₁	36.6 mm
D ₂	52.7 mm
r _{1,2} - min.	1.1 mm
d _a - min.	32 mm
d _a - max.	36.5 mm
D _a - max.	55 mm
r _a - max.	1 mm
Basic dynamic load rating - C	22.5 kN
Basic static load rating - C ₀	11.6 kN
Fatigue load limit - P _u	0.49 kN
Limiting speed	7500 r/min
Calculation factor - k _r	0.03
Calculation factor - f ₀	12
Category	Single Row Ball Bearings
Inventory	0.0
Manufacturer Name	SKF
Minimum Buy Quantity	N/A



Lamar parts manufacturing company

Weight / Kilogram	0.326
EAN	7316577080585
Product Group	B00308
Enclosure	2 Seals
Precision Class	ABEC 1 ISO P0
Maximum Capacity / Filling Slot	No
Rolling Element	Ball Bearing
Snap Ring	No
Internal Special Features	No
Cage Material	Steel
Enclosure Type	Contact Seal
Internal Clearance	C0-Medium
Inch - Metric	Metric
Long Description	25MM Bore; 62MM Outside Diameter; 24MM Outer Race Diameter; 2 Seals; Ball Bearing; ABEC 1 ISO P0; No Filling Slot; No Snap Ring; No Internal Special Features
Other Features	Cartridge Bearing
Category	Single Row Ball Bearing
UNSPSC	31171504
Harmonized Tariff Code	8482.10.50.68
Noun	Bearing
Keyword String	Ball
Manufacturer URL	http://www.skf.com
Manufacturer Item Number	62305-2RS1
Weight / LBS	0.717
Outside Diameter	2.441 Inch 62 Millimeter
Outer Race Width	0.945 Inch 24 Millimeter
Bore	0.984 Inch 25 Millimeter
bore diameter:	25 mm



Lamar parts manufacturing company

static load capacity:	11.6 kN
outside diameter:	62 mm
precision rating:	ABEC 3 (ISO Class 6)
overall width:	24 mm
finish/coating:	Uncoated
bore type:	Round
cage material:	Steel
closure type:	Double Sealed
outer ring width:	24 mm
row type & fill slot:	Single Row Non-Fill Slot
fillet radius:	1 mm
internal clearance:	C0
maximum rpm:	7500 RPM
operating temperature range:	-40 to +210 ° F
series:	62
dynamic load capacity:	22.5 kN
d_1	36.6 mm
D_2	52.7 mm
d_a min.	32 mm
d_a max.	36.5 mm
D_a max.	55 mm
r_a max.	1 mm
Basic dynamic load rating C	22.5 kN
Basic static load rating C_0	11.6 kN
Fatigue load limit P_u	0.49 kN
Calculation factor k_r	0.03
Calculation factor f_0	12
Mass bearing	0.32 kg