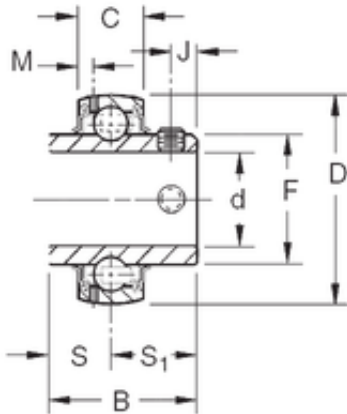




Lamar parts manufacturing company

42,8625 mm x 90 mm x 51,59 mm Timken
GYM1111KRRB deep groove ball bearings



Bearing No. GYM1111KRRB

Size	42.8625x90x51.59 mm
Bore Diameter	42,8625 mm
Outer Diameter	90 mm
Width	51,59 mm
d	42,8625 mm
D	90 mm
B	51,59 mm
C	22 mm
S1	32,54 mm
F	62,84 mm
J	10 mm
M	4,7 mm
S	19,05 mm
Thread (G)	M10x1,5
Weight	1,271 Kg
Basic dynamic load rating (C)	39,2 kN

GYM1111KRRB Bearing 2D drawings and 3D CAD models