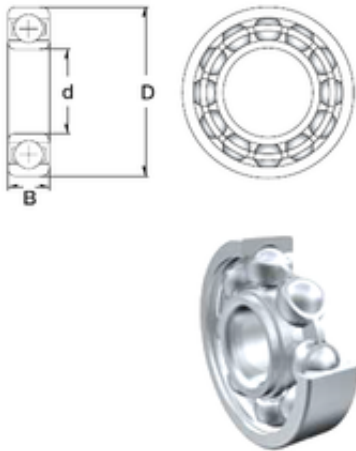




## Lamar parts manufacturing company



3,175 mm x 9,525 mm x 2,779 mm ZEN SR2-6  
deep groove ball bearings

Bearing No. SR2-6

Size	3.175x9.525x2.779 mm
Bore Diameter	3,175 mm
Outer Diameter	9,525 mm
Width	2,779 mm
d	3,175 mm
D	9,525 mm
B	2,779 mm
C	2,779 mm
Basic dynamic load rating (C)	0,64 kN
Basic static load rating (C0)	0,227 kN
(Grease) Lubrication Speed	53000 r/min

SR2-6 Bearing 2D drawings and 3D CAD models