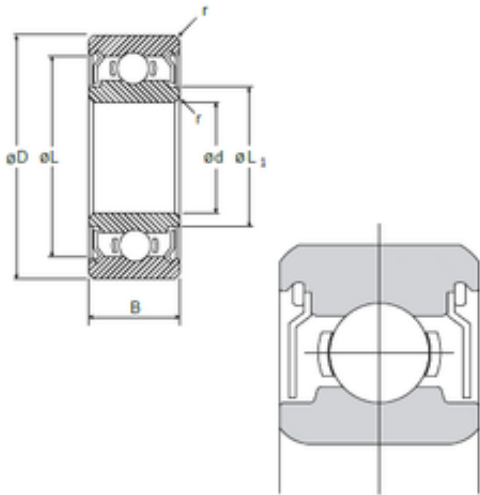




Lamar parts manufacturing company



10 mm x 20 mm x 5 mm NMB SMR2010ZZ
deep groove ball bearings

Bearing No. SMR2010ZZ

Size	10x20x5 mm
Bore Diameter	10 mm
Outer Diameter	20 mm
Width	5 mm
d	10 mm
D	20 mm
B	5 mm

SMR2010ZZ Bearing 2D drawings and 3D CAD models