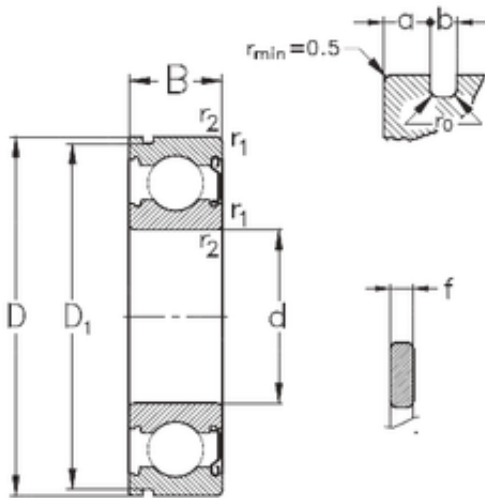




## Lamar parts manufacturing company



### 30 mm x 55 mm x 13 mm NKE 6006-Z-NR deep groove ball bearings

Bearing No. 6006-Z-NR

Size	30x55x13 mm
Bore Diameter	30 mm
Outer Diameter	55 mm
Width	13 mm
d	30 mm
D	55 mm
B	13 mm
C	13 mm
a	2,06 mm
b	1,35 mm
f	1,12 mm
r1 min.	1 mm
r2 min.	1 mm
D1	52,6 mm
D2	60,7 mm
Weight	0,115 Kg
Basic dynamic load rating (C)	13,2 kN
Basic static load rating (C0)	8,3 kN

6006-Z-NR Bearing 2D drawings and 3D CAD models