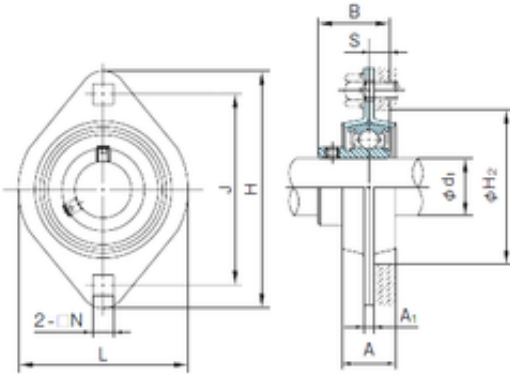




NACHI BPFL1 bearing units



Bearing No. BPFL1

Bore Diameter	12 mm
d	12 mm
H	81 mm
A	14 mm
A1	4 mm
B	22 mm
H2	49 mm
J	63.5 mm
L	59 mm
N	7 mm
S	6 mm
Bolt (G)	M6

BPFL1 Bearing 2D drawings and 3D CAD models