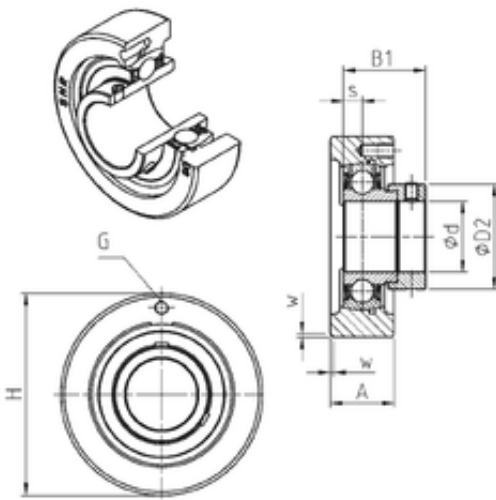




SNR ESC207 bearing units

Bearing No. ESC207



ESC207 Bearing 2D drawings and 3D CAD models

Bore Diameter	35 mm
d	35 mm
s	9,5 mm
A	28 mm
B1	38,9 mm
D2	55,6 mm
H	90 mm
W	2 mm
Thread (G)	M6x1
Weight	1,1 Kg
Basic dynamic load rating (C)	25,7 kN
B	25.4 mm
A3	2 mm
A5	15.9 mm
d1	51.1 mm
G	M6x1
s1	30.2 mm
S	9.5 mm
SW	4 mm
C	25.7 kN
C0	15.2 kN
T min.	-20 ° C
T max.	100 ° C
Recommended tightening torque for set screw	11.5 Nm
Designation of housing	C207-



Lamar parts manufacturing company

Designation of bearing	ES207G2
------------------------	---------