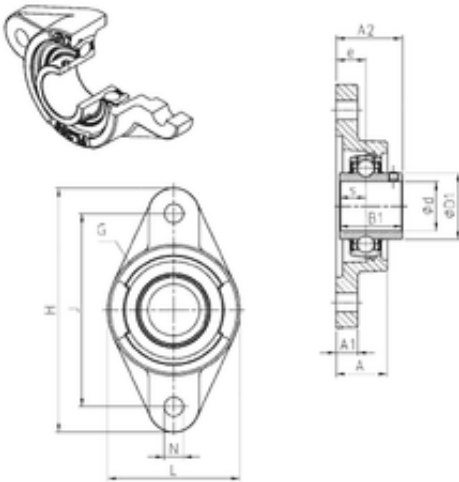




Lamar parts manufacturing company



SNR UCFL317 bearing units

Bearing No. UCFL317

Bore Diameter	85 mm
d	85 mm
e	44 mm
s	40 mm
A	74 mm
A1	32 mm
B1	96 mm
D1	114 mm
H	370 mm
J	300 mm
L	220 mm
N	38 mm
Thread (G)	M10x1
A2	100 mm
Weight	14,4 Kg
Basic dynamic load rating (C)	132,6 kN

UCFL317 Bearing 2D drawings and 3D CAD models