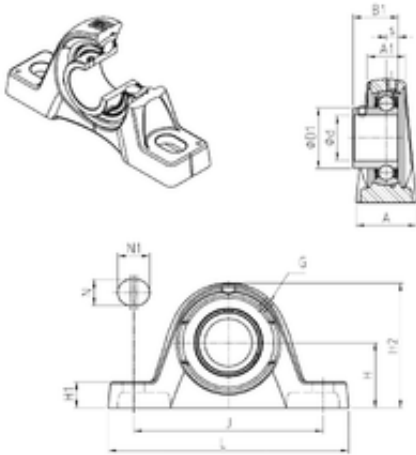




Lamar parts manufacturing company

SNR USPLE211 bearing units

Bearing No. USPLE211



USPLE211 Bearing 2D drawings and 3D CAD models

Bore Diameter	55 mm
d	55 mm
s	11,8 mm
A	60 mm
A1	39,5 mm
B1	45,3 mm
D1	69 mm
H	61,3 mm
H1	23,2 mm
H2	128 mm
J	170,5 mm
L	219,5 mm
N	18 mm
N1	26 mm
Thread (G)	M6x1
Weight	3,4 Kg
Basic dynamic load rating (C)	43,55 kN