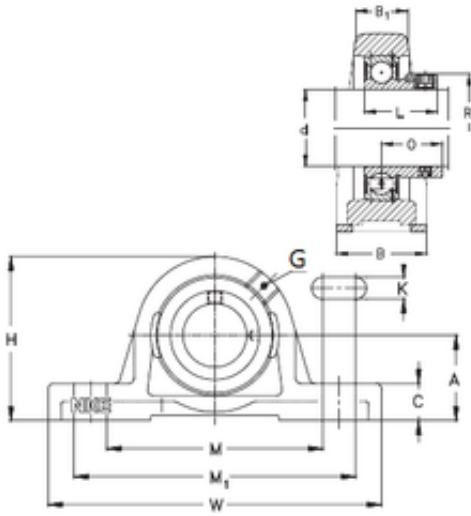




Lamar parts manufacturing company



NKE RASE80 bearing units

Bearing No. RASE80

Bore Diameter	80 mm
Width	78 mm
d	80 mm
O	47,6 mm
A	89 mm
B	78 mm
B1	55 mm
C	30 mm
H	175 mm
K	26 mm
L	71 mm
M	224 mm
M1	240 mm
R	108 mm
W	290 mm
Thread (G)	R1/8 "

RASE80 Bearing 2D drawings and 3D CAD models