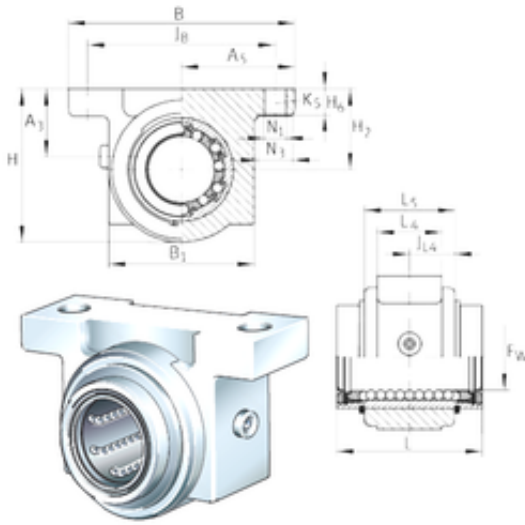




INA KGB20-PP-AS bearing units



Bearing No. KGB20-PP-AS

Bore Diameter	20 mm
Fw	20 mm
B	70 mm
H6	8 mm
A5	35 mm
L4	20 mm
L5	28 mm
N3	11 mm
B1	45 mm
H	47,5 mm
H2	25 mm
N1	6,6 mm
A3	21 mm
L	45 mm
JB	58 mm
Thread (K5)	M6
JL4	14 mm
Weight	0,3 Kg
Basic dynamic load rating (C)	1,57 kN

KGB20-PP-AS Bearing 2D drawings and 3D CAD models