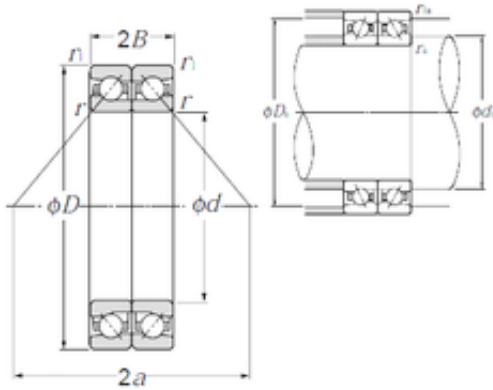




## Lamar parts manufacturing company

280 mm x 380 mm x 45 mm NTN HTA956DB  
angular contact ball bearings



Bearing No. HTA956DB

Size	280x380x45 mm
Bore Diameter	280 mm
Outer Diameter	380 mm
Width	45 mm
d	280 mm
D	380 mm
B	45 mm
C	45 mm
ra1 max.	1 mm
r min.	2,1 mm
r1 min.	1,1 mm
2B	90 mm
da min.	297 mm
Da max.	370 mm
ra max.	2 mm
Weight	28 Kg
Basic dynamic load rating (C)	257 kN
Basic static load rating (C0)	885 kN
(Grease) Lubrication Speed	1 600 r/min

HTA956DB Bearing 2D drawings and 3D CAD models