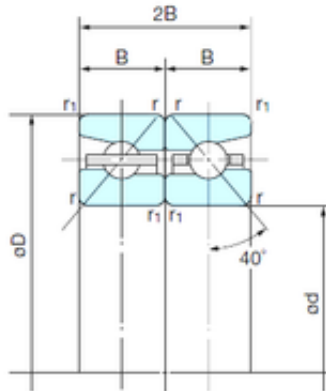




## Lamar parts manufacturing company

### 95 mm x 145 mm x 22,5 mm NACHI 95TBH10DB angular contact ball bearings



Bearing No. 95TBH10DB

Size	95x145x22.5 mm
Bore Diameter	95 mm
Outer Diameter	145 mm
Width	22,5 mm
d	95 mm
D	145 mm
B	22,5 mm
Angle ( ° )	40 °
r min.	1.5 mm
r1 min.	1 mm
2B	45 mm
Basic dynamic load rating (C)	66,5 kN
Basic static load rating (C0)	184 kN
(Grease) Lubrication Speed	4200 r/min

95TBH10DB Bearing 2D drawings and 3D CAD models