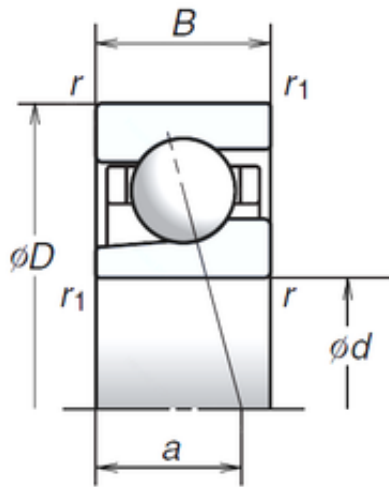




## Lamar parts manufacturing company



15 mm x 35 mm x 11 mm NSK 15BGR02H  
angular contact ball bearings

Bearing No. 15BGR02H

Size	15x35x11 mm
Bore Diameter	15 mm
Outer Diameter	35 mm
Width	11 mm
d	15 mm
D	35 mm
B	11 mm
C	11 mm
Angle ( ° )	15 °
a	8,8 mm
r min.	0,6 mm
r1 min.	0,3 mm
Weight	0,04 Kg
Basic dynamic load rating (C)	5,8 kN
Basic static load rating (C0)	2,34 kN
(Grease) Lubrication Speed	76 000 r/min
(Oil) Lubrication Speed	112 000 r/min

15BGR02H Bearing 2D drawings and 3D CAD models