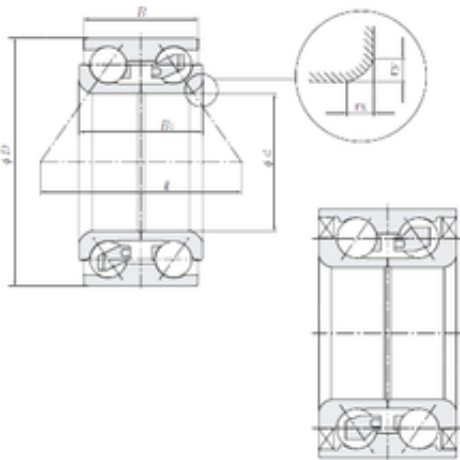




Lamar parts manufacturing company



38 mm x 72 mm x 34 mm NTN DE0869CS46PX2/5A angular contact ball bearings

Bearing No. DE0869CS46PX2/5A

DE0869CS46PX2/5A Bearing 2D drawings and 3D CAD models

Size	38x72x34 mm
Bore Diameter	38 mm
Outer Diameter	72 mm
Width	34 mm
d	38 mm
D	72 mm
B	34 mm
C	34 mm
rx	3 mm
ry	3 mm
	55,1 Tolerance h14
Weight	0,54 Kg
Basic dynamic load rating (C)	32 kN
Basic static load rating (C0)	25 kN
Category	Bearings
Inventory	0.0
Manufacturer Name	NTN
Minimum Buy Quantity	N/A
Weight / Kilogram	0.537
Product Group	B00234